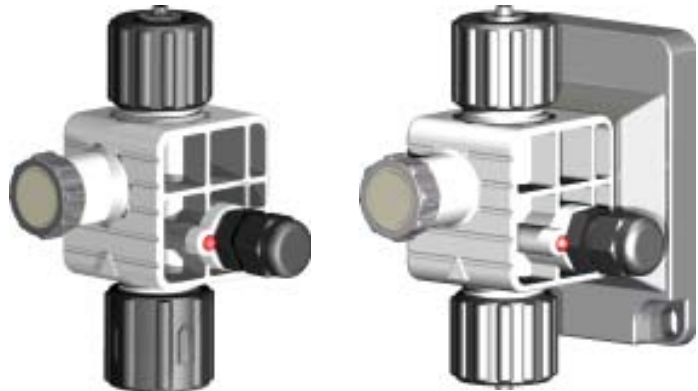


## FEATURES

- PVDF body
- N.C. contact
- Adjustable sensitivity
- Viton® or EPDM O-ring
- Max 45°C
- Activity LED on board

Viton® is a DuPont Dow Elastomers registered trademark.

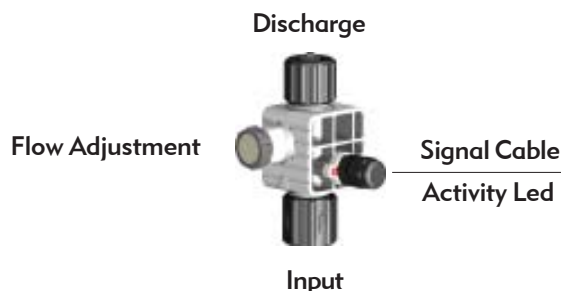
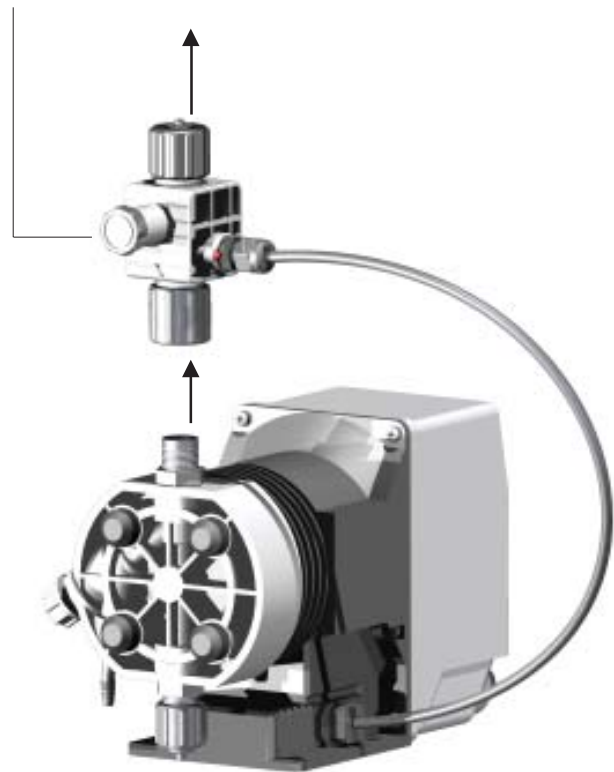
SEFL is a flow sensor device made for checking if the connected dosing pump is working properly by checking if a liquid is flowing through the pump's head. It has a control knob to regulate sensibility for every kind of pump.



## INSTALLATION

1. Install SEFL connecting it to the pump head discharge connection. Take out the discharge connection tube nut and screw the SEFL connection onto the discharge.
2. Install the discharge hose on the discharge point of SEFL (top) locking it tight.
3. Carry out the electrical wiring connecting the SEFL two wires to an external control type PLC that allows an alarm signal or shutting off of the system or the dosing pump. The SEFL signal is a NO/NC voltage free contact.

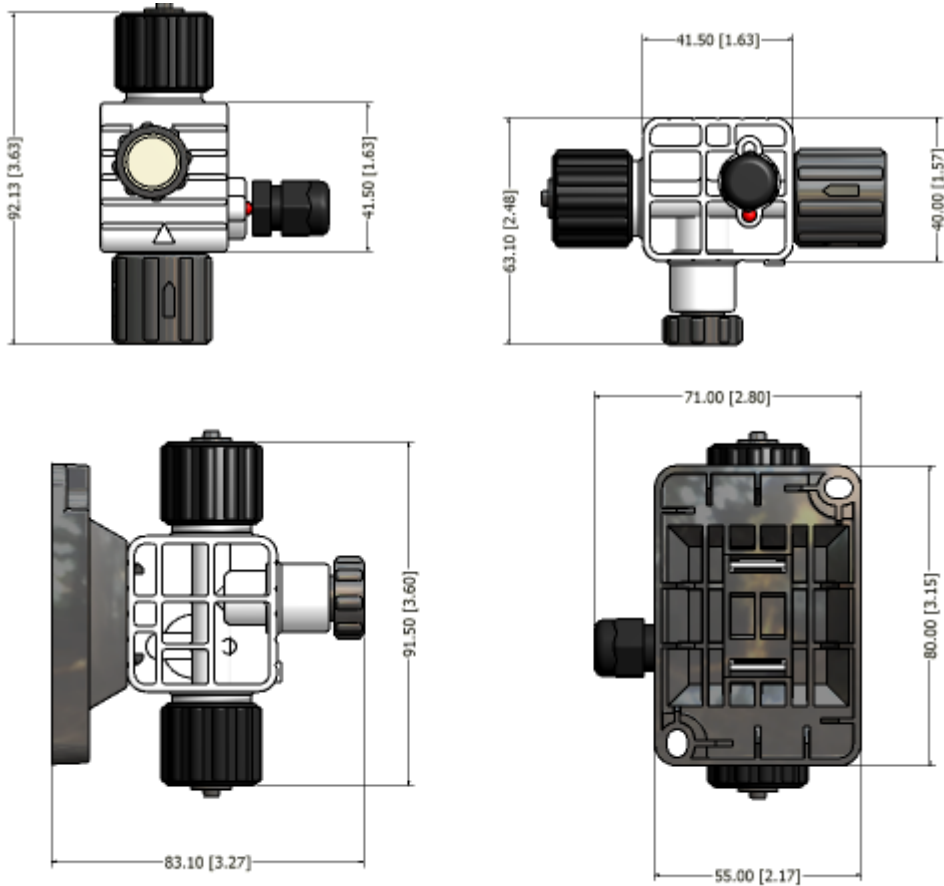
Flow knob stabilizer



# "SEFL" - Flow Sensor

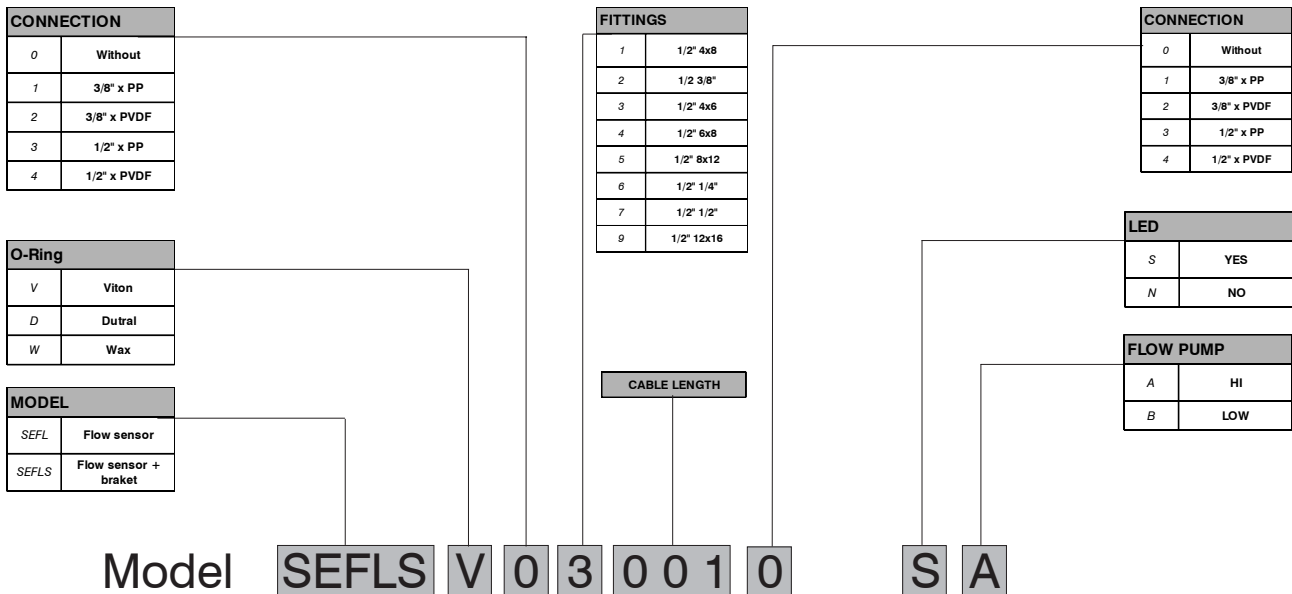
# Data Sheet

## DIMENSIONS



Dimensions: mm - [inches]

	BODY	FITTINGS	VALVES	O RING	FLOATER	FLOW KNOB	CABLE
SEFL/D	PMMA	1/2" - 3/8"	PVDF	EPDM	PTFE	PVDF	Polyethylene
SEFL/V	PVDF	1/2" - 3/8"	PVDF	VITON	PTFE	PVDF	Polyethylene
SEFLS/D	PMMA	1/2"	PVDF	EPDM	PTFE	PVDF	Polyethylene
SEFLS/V	PMMA	1/2"	PVDF	VITON	PTFE	PVDF	Polyethylene



ISO 9001 certified

Via Donatori di sangue, 1 - 02100 Vazia (RI) - Italy  
Tel. +39 0746 2284 1 - Fax +39 0746 2284 2 - <http://www.emec.it>

Specifications subject to change without notice.  
ENG R2-04-07