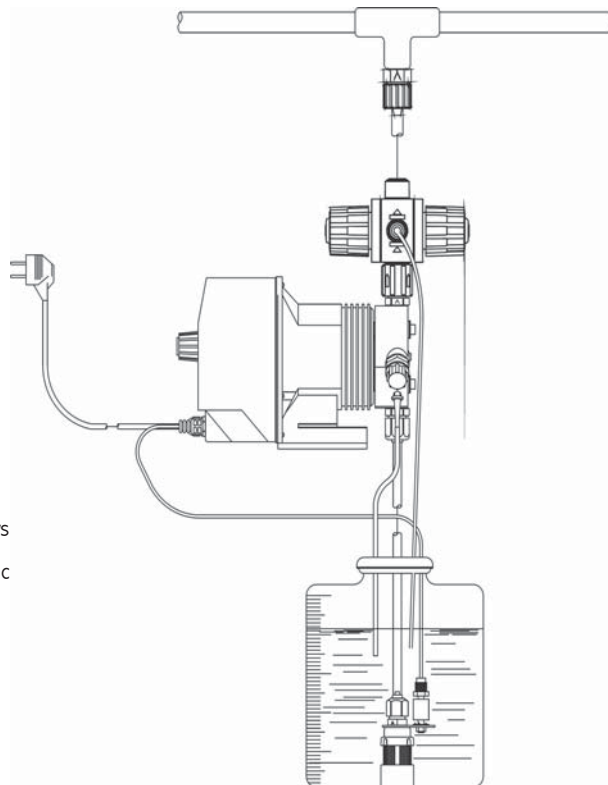
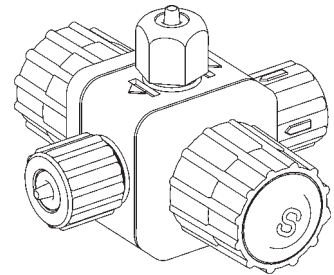


FEATURES

- Connections for all different EMEC sizes
- Pressure range adjustable from 1 to 5 bar for pressure valve operating mode
- Pressure range adjustable from 1 to 18 bar for safety valve operating mode
- Discharge connection 3/8" 4x6
- O-ring in EPDM or Viton®
- PP or PVDF body

Multifunction valve (pressure, safety, anti-syphon and bleed).
Selecionable working pressure.
Easy-to-use knobs, with stop position.
Reinforced Polypropilene or PVDF body.



PRESSURE valve operating mode

Pressure valve operating mode keeps always closed the valve until is reached a specific pressure value to the input.

SAFETY valve operating mode

Safety-valve operating mode activates product discharge when is over-reached a specific pressure value (max 18bar).

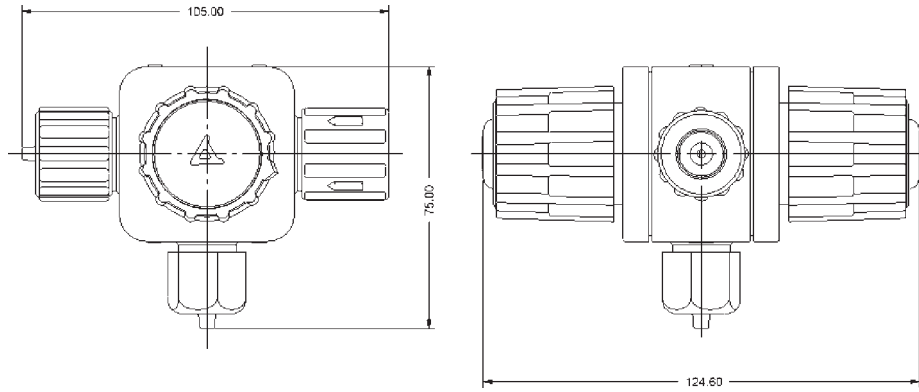
ANTI-SYPHON valve operating mode

Anti-syphon operating mode avoid that dosing product goes through the injection valve when the pump is not dosing because a negative pressure has been produced on the injection valve.

BLEED valve operating mode

Manual product discharge on delivery hose.

DIMENSIONS



Dimensions are expressed in *mm*.

Features	Multifunction Valve
Safety valve working range	from 0 to 18 bar
Pressure valve working range	from 0 to 5 bar
Fittings	1/2", 3/8"
Discharge hose fittings	4x6
Construction material (body)	PP or PVDF
Liquid ends material	PP or PVDF
Seal	Viton® or EPDM
Membrane	Viton® or EPDM

Viton® is a DuPont Dow Elastomers registered trademark.